



## Crystal Quest® Classic Undersink Disposable INSTALLATION AND OPERATION GUIDE



ONLINE WARRANTY INFORMATION  
<http://crystalquest.com/warranty.html>



Copyright 2020  
Crystal Quest®  
All rights reserved.  
MADE IN THE USA





## ! IMPORTANT INFORMATION

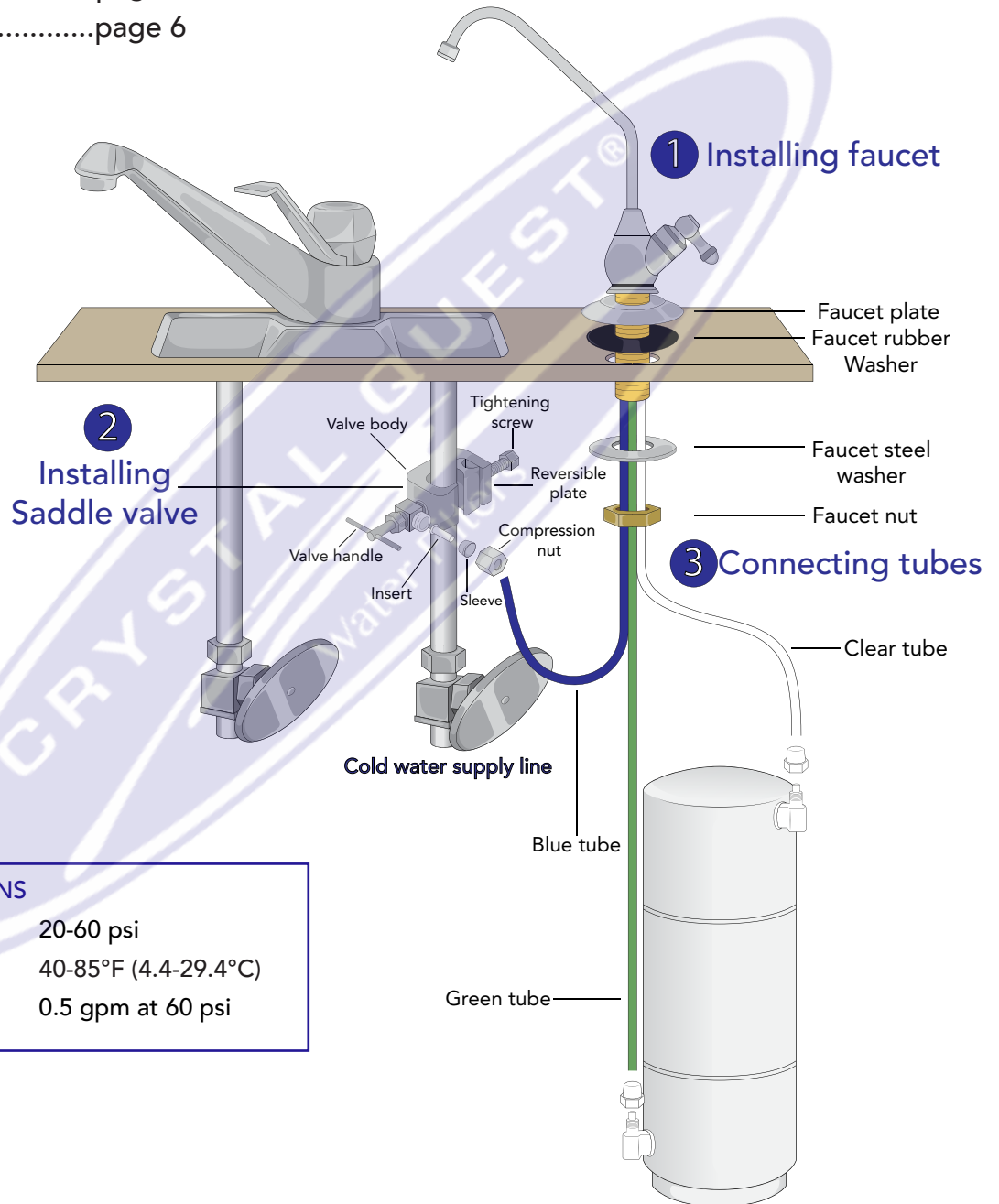
- Inspect the carton and unit for evidence of rough handling and concealed damages. Report any damage to the carrier. Damage claims should be filed with the carrier. All damage related matter needs to be addressed directly with the carrier.
- Remove components from shipping carton. Check that all installation parts are present, which includes the unit, faucet, installation hardware and tubing.
- Read the instructions carefully and learn the specific details regarding installation and use. **Failure to follow them could cause serious property damage. Crystal Quest® accepts no liability for property damage.**
- The system should be installed to meet local, state, and federal plumbing codes and health department rules and regulations. You must follow these guidelines as the filter is installed.
- **All equipment needs to be plumbed into the water system by a qualified licensed plumber.**
- Use the system on a potable (safe-to-drink) COLD water supply only.
- Do not install on hot water line.
- Do not use non-Crystal Quest replacement cartridges.
- Do not use non-Crystal Quest parts or modify/tamper with unit.





## INSTALLATION STEPS AND DIAGRAM

1. Installing faucet.....page 4
2. Installing Saddle valve.....page 5
3. Connecting tubes.....page 6



### OPERATING SPECIFICATIONS

Pressure Range:	20-60 psi
Temperature Range:	40-85°F (4.4-29.4°C)
Optimum Service Flow:	0.5 gpm at 60 psi



## STEP 1 – INSTALLING THE FAUCET (FIG 1)

Faucet should be placed near the sink where drinking/cooking water is normally required. A 2" flat surface is required to mount the faucet if an existing hole for a second faucet is not available. The mounting thickness should not exceed 1-1/4".

If the sink has a sprayer, it may be disconnected for faucet installation. A pipe cap or plug will be necessary to seal the sprayer connection. If making the faucet mounting hole (if sprayer or second hole is not used), check to make sure the drill does not interfere with anything below. Center punch a small indent at the desired faucet location (2" flat surface is required, not exceeding 1-1/4" in thickness). Drill the required pilot hole of the chassis punch and tighten nut to cut the desired hole size. Clean up sharp edges. The faucet should be positioned so it empties into the sink and the spout swivels freely for convenience. If sink has a hole that can accommodate the faucet, no drilling is required. Proceed with mounting the faucet.

**Mounting the Faucet:** Disassemble hardware from the threaded nipple, except for chrome base plates and rubber washers (rubber washers may be replaced with a bead of plumber's putty for neater appearance). Feed the threaded nipple through sink or counter mounting hole and position the faucet. From below sink or counter, assemble the white spacer flat washer and hex nut on threaded nipple and tighten by hand (open end up; open side toward air gap). After checking faucet orientation, tighten with a wrench until secure. (Fig. 1).

### INSTALLATION PROCEDURES FOR STAINLESS STEEL SINKS

**Recommended tools:**

- Center punch
- Variable speed drill
- High speed drill bits
- Greenlee chassis punch 7/8" (or 9/16" for non air gap faucets)
- Protective gloves & eye protectors

**Procedures:**

1. Center punch small indent for hole.
2. Drill the required pilot hole.
3. Set-up the chassis punch per instructions and tighten nut to cut the desired hole size.
4. Clean up sharp edges with file.

### PORCELAIN, ENAMEL, CERAMIC ON METAL OR CAST IRON

Precautions must be taken to penetrate the porcelain through to the metal base and prevent it from chipping or scratching.

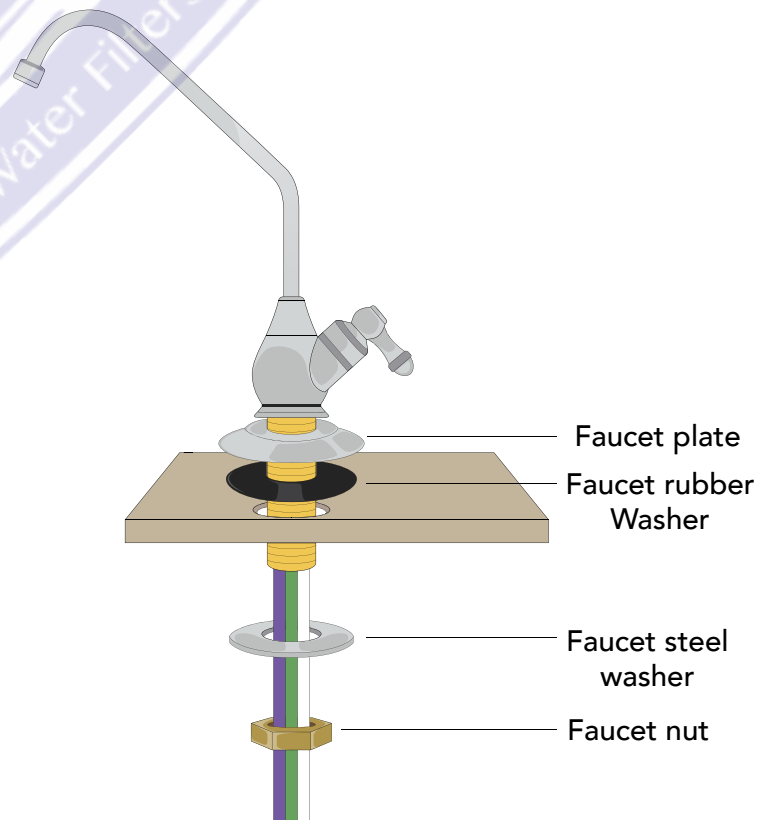
**Tools required:**

- Variable speed drill
- Relton porcelain cutter tool set (7/8" or alternative size, 9/16")
- Plumber's putty

**Procedures:**

1. Mark the center for the 7/8" hole.
2. Form shallow putty around hole area and fill with enough water to lubricate carbide drill bit.
3. Carefully drill pilot hole through all layers (use light pressure and slow speed).
4. Insert pilot tip of spring-loaded porcelain cutter into pilot hole.
5. Drill porcelain/enamel using spring loaded porcelain cutter, making certain a complete ring has been cut through the porcelain/enamel to the metal base.
6. Cut away the inner porcelain/enamel disc down to the base metal. Make certain the cutter does not touch the outer rim of the cut porcelain/enamel. Continue with this bit to cut through metal until punch has been completely penetrated.

**Note:** Always use sharpened porcelain cutter to eliminate chips and cracks.



(Fig. 1)



## STEP 2 – INSTALLING THE SADDLE (FEED WATER) VALVE & TUBING (FIG. 2)

### CHOOSE THE VALVE LOCATION

Choose a location for the valve that is easily accessible. It is best to connect into the side of a vertical water pipe. When it is necessary to connect into a horizontal water pipe, make the connection to the top or side, rather than at the bottom, to avoid drawing off any sediment from the water pipe.

- Disconnect the cold water supply line. Attach and tighten the saddle valve connector assembly being careful not to pinch or crimp any tubing or water supply line while tightening. Use Teflon® Tape to ensure a tight fit.

**NOTE:** The saddle valve clamps onto soft or hard tubing or pipe. It will make its own hole in copper tubing, but not in iron or brass. For brass or galvanized iron pipe, drill a 1/4" hole in pipe before mounting saddle valve. Risk of electric shock. If possible, use a hand or cordless drill when drilling water pipe. If using an electric drill, be sure that drill, cord and outlet are all properly grounded.

**NOTE:** Do not turn handle before installing or while installing saddle valve. To prevent damage to piercing needle, make sure that piercing lance does not project beyond the rubber gasket.

**NOTE:** Leave handle in this position (valve closed) until filter installation is complete.

1. Hold back plate against tube.
2. Hold valve saddle against tubing in a position directly opposite back plate.
3. Tighten screw enough so valve saddle and back plate are held securely against tube.
4. Tighten screw firmly. Do not crush tube.

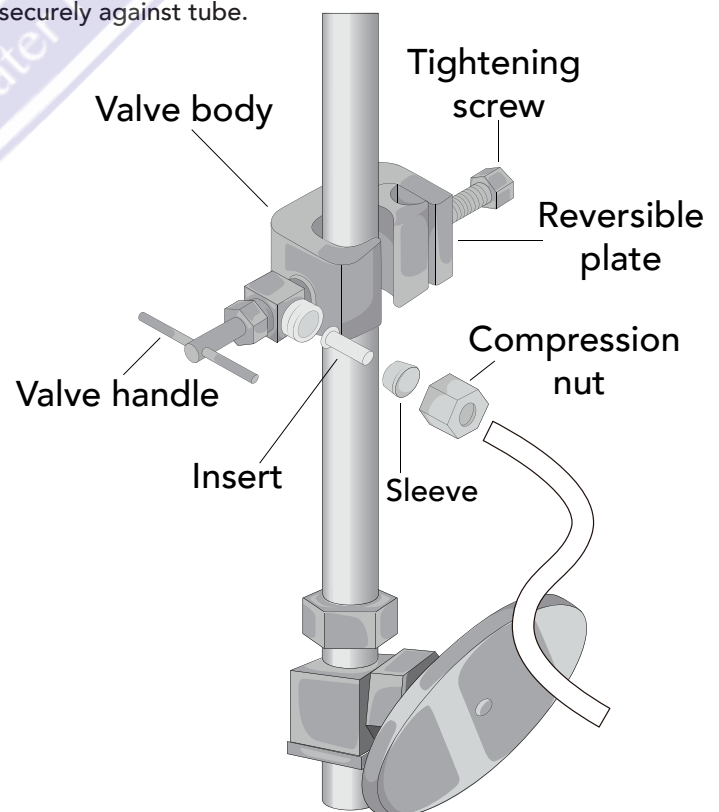
### CONNECT SOURCE WATER FEED TUBING TO VALVE BODY USING COMPRESSION FITTING

1. Slide nut and sleeve onto tubing (in that order).
2. Install insert into tubing.
3. Install tubing with insert and sleeve into valve body.
4. Thread compression nut onto valve body and tighten.
5. Turn saddle-tapping valve handle clockwise until it is firmly seated and piercing lance is fully extended.

**CAUTION:** When the supply line is pierced, the valve should be closed. Do not open valve until system is activated. Turn on cold water supply. Check saddle-tapping valve installation for leaks. Allow water to run from faucet for a few minutes to clear any debris in the line caused by installation.

**NOTE:** If flow from sink faucet is reduced, clean faucet aerator.

**Important Notice:** All Crystal Quest® water filtration systems should be installed by a qualified and licensed plumber. Not using the service of a qualified plumber will void warranty. Crystal Quest® assumes no liability whatsoever for systems improperly installed or those installed by anyone other than a qualified, licensed plumber.



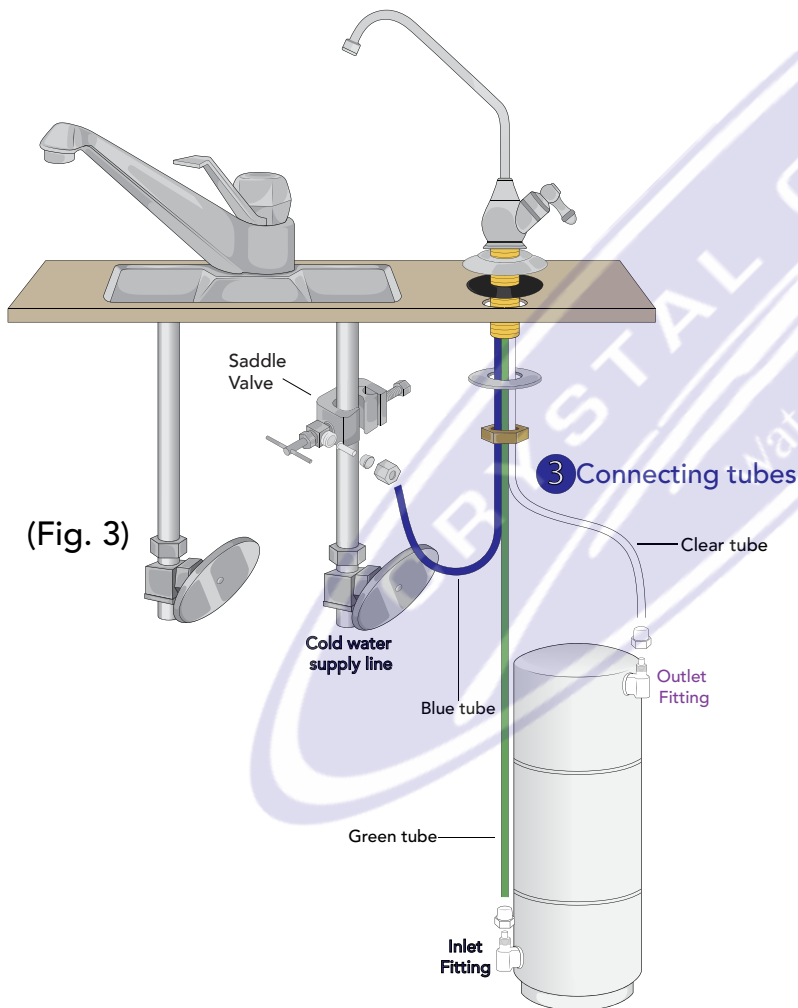
(Fig. 2)



## STEP 3 – CONNECTING TUBING INTO FILTER (FIG. 3)

- Cut tube ends square and straight. Do not deform tube (i.e., cause tube to compress its diameter so it is no longer round).
- Avoid sharp changes in direction when routing tubing. Sharp turns cause tubing to flex and deform, which reduces its flow capacity and may increase lateral stress on the fittings, causing leakage.

1. Push in green or red tube through water filter inlet fitting (Fig. 3).
2. Push in clear tube through water filter outlet fitting (Fig. 3).
3. Push in blue tube through saddle valve (Fig. 3).

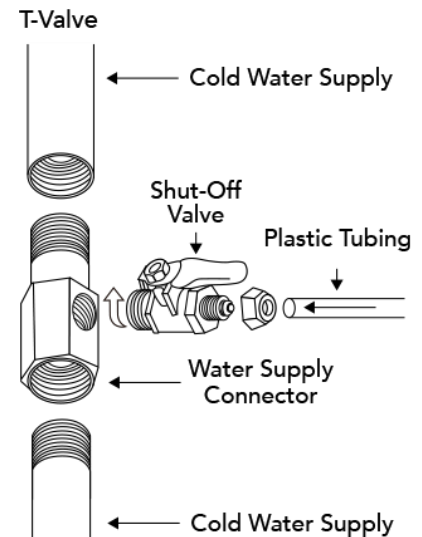


(Fig. 3)

### T-VALVE INSTALLATION (ALTERNATE TO SADDLE VALVE)

**WARNING:** Water supply pressure must not exceed 60 psi.  
**NOTE:** T-Valve is designed for installation on flex line tubing.  
**NOTE:** Always check the local plumbing codes before tapping into a water line.

1. Turn off cold water supply.
2. Assemble T-Valve by screwing and tightening the shut-off valve into the water supply connector (use thread seal tape on threads).
3. Disconnect source water feed tubing from cold water supply.
4. Install T-Valve assembly in line with water feed tubing and water supply.
5. Remove nut from feed end of shut-off valve and slide over filter supply tubing.
6. Press end of tubing over exposed nipple on shut-off valve. Ensure it is completely seated.
7. Slide nut down tubing and tighten securely to shut-off valve.
8. Slowly turn cold water supply on and check for leaks.
9. Open T-Valve shut-off valve slowly to supply water to filter.

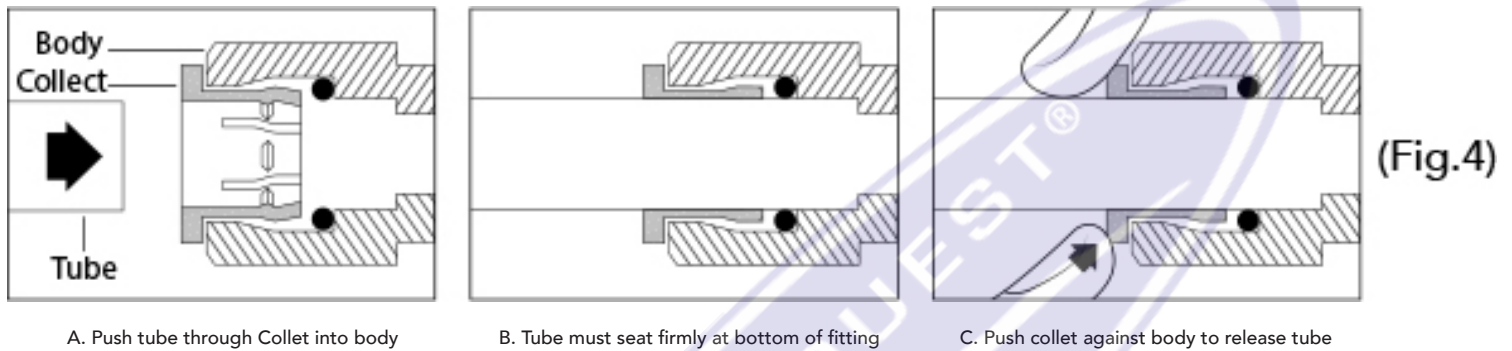




## USING QUICK-CONNECT FITTINGS

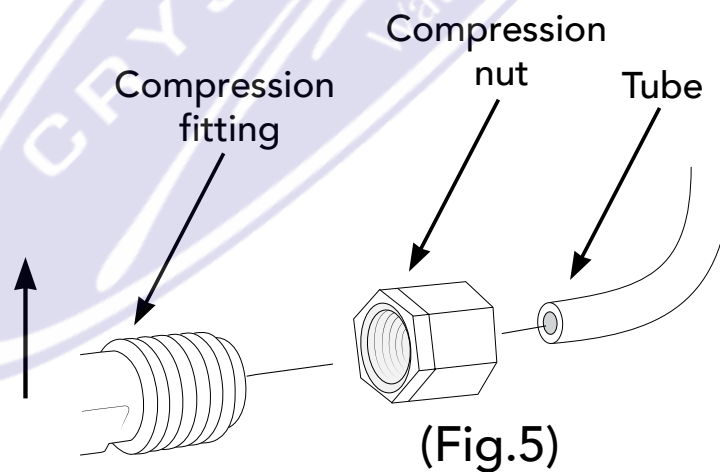
Fittings consist of two parts: a Body and a Collet. Make sure outer surface of tube is clear of marks or scratches for a length equal to twice tube diameter. This allows "O" ring to seat properly against tube.

- To install a tube, push it through collet into body (Fig. 4A and 4B).
- To remove a tube, push and hold collet against Body while pulling tube out (Fig. 4C).



## USING COMPRESSION FITTINGS

1. Slide compression nut onto the end of tubing (Fig. 5).
2. Connect it to compression fitting and tighten the compression nut securely (Fig. 5).





## ONE-YEAR LIMITED WARRANTY

CRYSTAL QUEST® warrants your CRYSTAL QUEST® Classic Undersink Disposable System Filter for one year from the date of purchase against all defects in materials and workmanship when used in compliance with the manual. CRYSTAL QUEST® disclaims all implied warranties including, without limitation, warranties of merchantability and fitness for a particular purpose. If for any reason the product proves to be defective within one year from the date of purchase (90 days for filter cartridge), please call for assistance. This warranty gives you specific legal rights and you may have other legal rights which vary from state to state. CRYSTAL QUEST® assumes no responsibility for incidental or consequential damages, for damages arising out of misuse of the product, or the use of any unauthorized attachment. Some states do not allow the exclusion or limitation of implied warranties or incidental or consequential damages; therefore, the above limitations or exclusions may not apply to you. Should service be required during or after the warranty period or should you have any questions regarding how to use your CRYSTAL QUEST® Classic Undersink Disposable System Filter, contact our Technical Support Department at [service@crystalquest.com](mailto:service@crystalquest.com), Monday through Friday, 9 A.M. to 5 P.M. Eastern Time.

## KEEP THIS MANUAL FOR FUTURE REFERENCE AND UNIT MAINTENANCE

Online warranty information

<http://CrystalQuest.com/warranty.htm>

Product design is subject to change without notice.

For further assistance, contact your Crystal Quest dealer  
or visit us at [www.CrystalQuest.com](http://www.CrystalQuest.com)

To view the latest edition of the Classic Undersink Disposable System Filter, visit [CrystalQuest.com](http://CrystalQuest.com)

*Please note all drawings, pictures, colors and sizes are approximate for illustrative purposes only and may not exactly resemble the end product.*

Copyright 2017  
Crystal Quest®  
All rights reserved.  
MADE IN THE USA