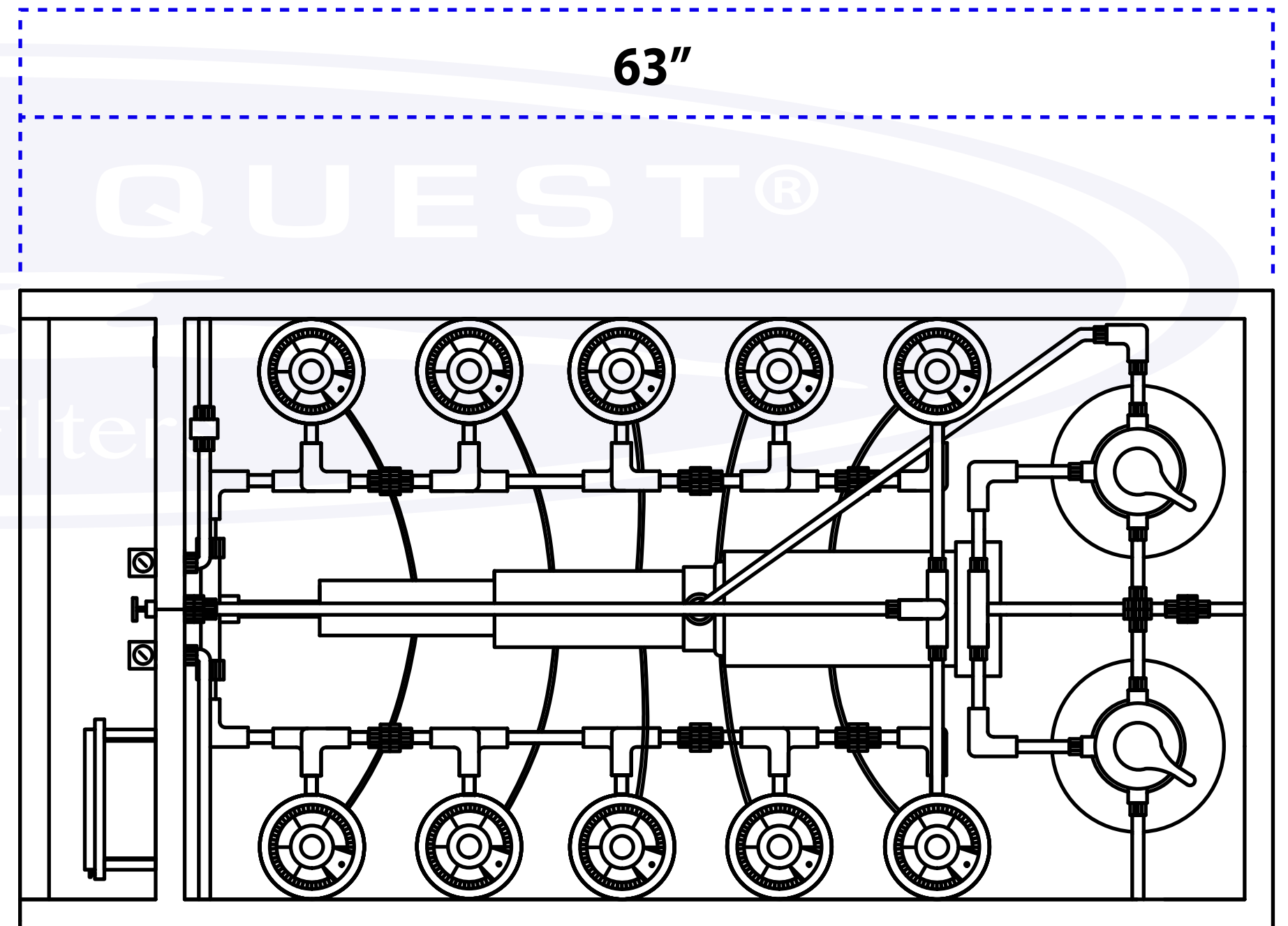
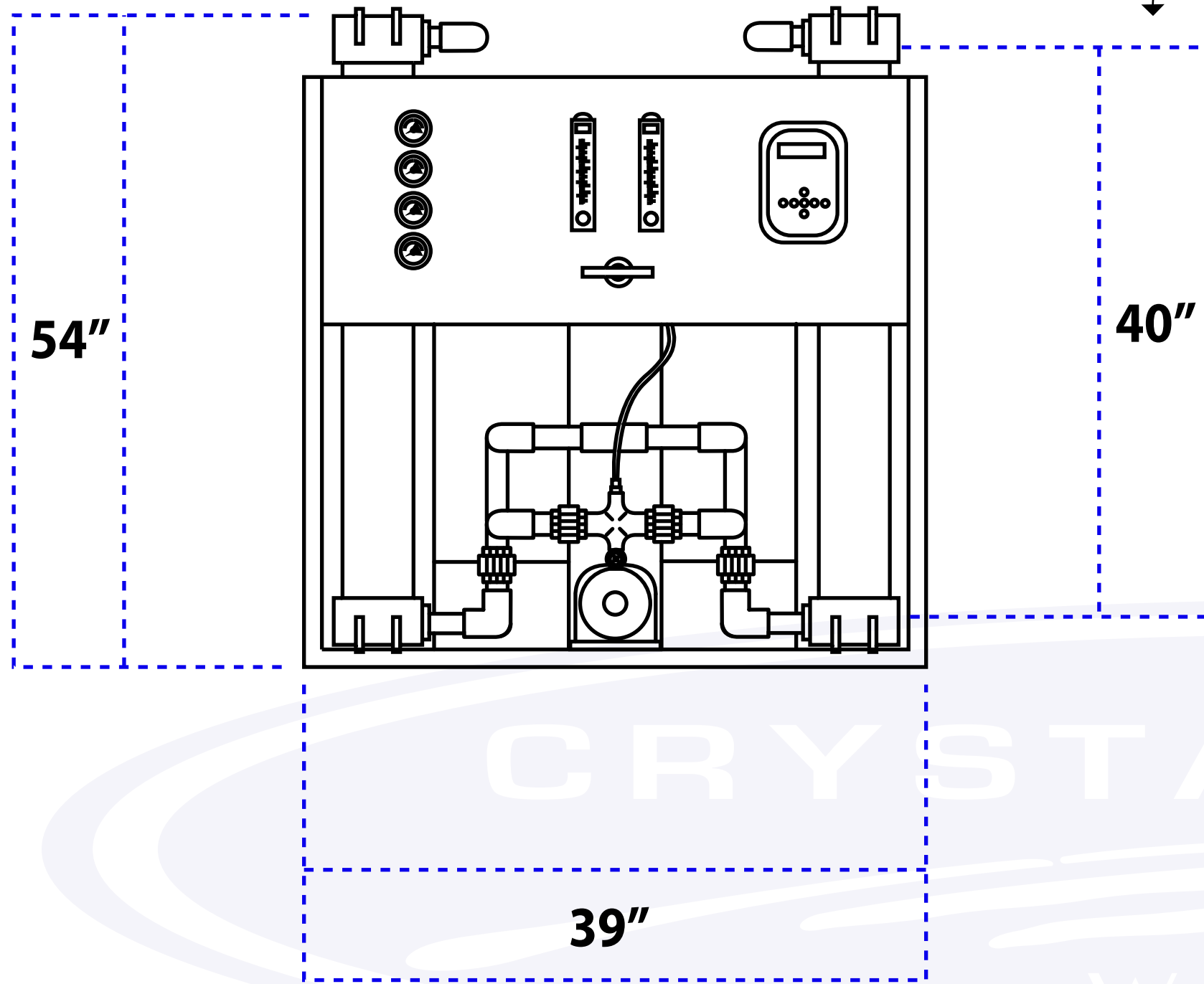


# 20,000 GPD RO (Dimensions)

Internal Membrane  
Dimensions : 4 × 40



## SUPPLEMENTAL TECHNICAL INFORMATION

- FEED CONNECTION      ○ →      2"
- PRODUCT CONNECTION      ○ →      1"
- WASTE CONNECTION      ○ →      1"
- MOTOR PUMP      ○ →      5 HP
- WEIGHT (Approx)      ○ →      415 lbs

## TECHNICAL INFORMATION

- MEMBRANE SIZE      ○ →      4" × 40" (X10)
- PRE-FILTER SIZE      ○ →      4.5" × 20" (X2)
- UNIT CAPACITY      ○ →      20,000 GPD



<b>COMMENTS:</b> <b>Product SKU :</b> <b>CQE-CO-02033</b>	UNLESS OTHERWISE SPECIFIED: DIMENSIONS ARE IN INCHES DRAWING IS NOT TO SCALE	DATE: 10/12/2017
	DIMENSION KEY: L --- LENGTH W --- WIDTH H --- HEIGHT D --- DIAMETER	TITLE: <b>Specific Impulse Engineering</b>
THE INFORMATION CONTAINED IN THIS DRAWING IS THE SOLE PROPERTY OF CRYSTAL QUEST. ANY AND ALL REPRODUCTION IN PART OR AS A WHOLE WITHOUT THE WRITTEN PERMISSION OF CRYSTAL QUEST IS PROHIBITED.	SIZE <b>C</b>	DWG. NO.      REV # SCALE: 1:20      WEIGHT:      SHEET 1 OF 1